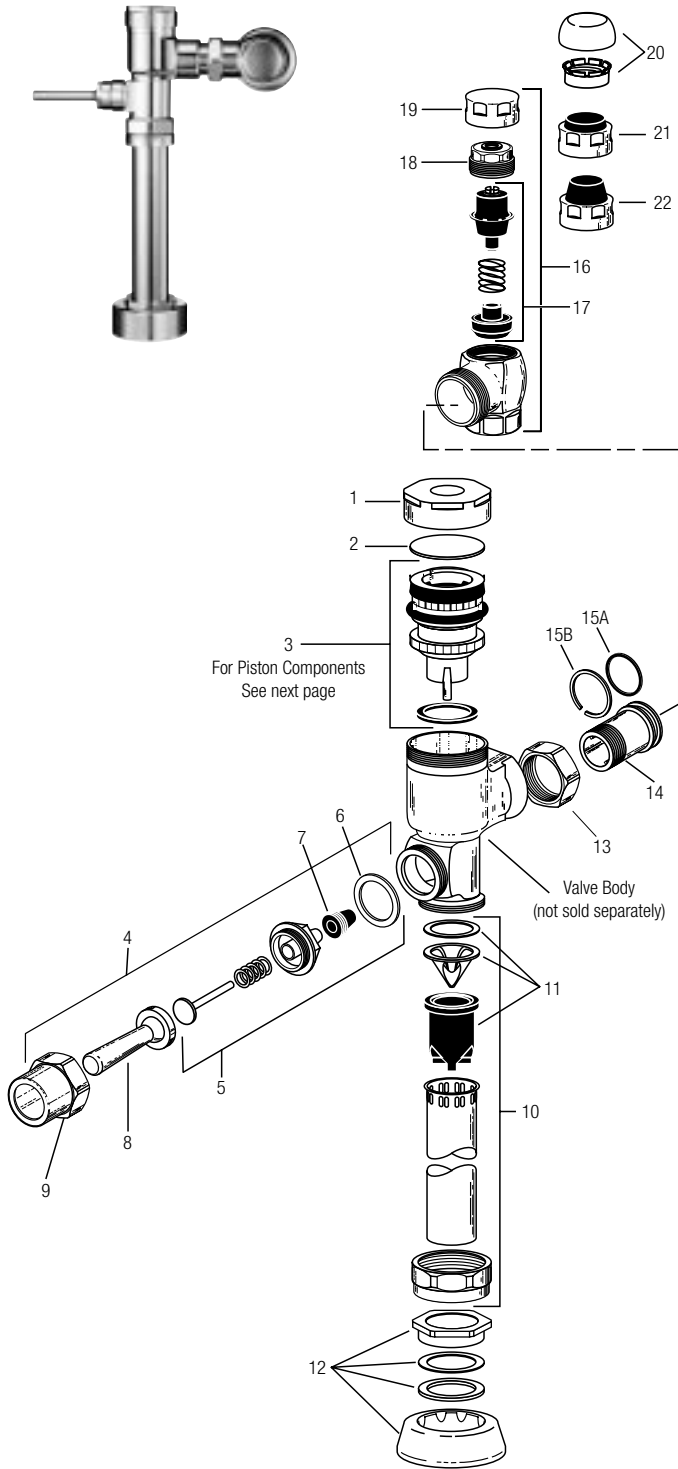


For more Sloan parts or complete flush valves, visit: www.ChicagoFaucetShoppe.com

Gem•2® Flushometer



PARTS LIST

Item No.	Code No.	Part No.	Description
1.	0307142	G-105	CP Cover
2.	0307139	G-106	Slip Disc
3.	0307193	G-1007-A	Piston Kit – 3.5 gpf/13.2 Lpf Water Closet
	0307195	G-1016-A	Piston Kit – 1.6 gpf/6 Lpf Water Closet
	0307192	G-1009-A	Piston Kit – 1.5 gpf/5.7 Lpf Urinal
	0307185	G-1017-A	Piston Kit – 1.0 gpf/3.8 Lpf Urinal
	3307133	G-1018-A	Piston Kit – 0.5 gpf/1.9 Lpf Urinal
	3307134	G-1019-A	Piston Kit – 2.4 gpf/9.0 Lpf Water Closet
PISTON KITS FOR OLD STYLE ADJUSTABLE GEM FLUSHOMETERS			
	0307043	G-1003-A	Piston Kit – Water Closet
	0307044	G-1002-A	Piston Kit – Urinal
ALL PISTON KITS INCLUDE G-21 MAIN SEAT (See next page)			
4.	5307070	G-36-A	Handle Assembly – 6 per package
5.	5307074	G-50-A	Handle Repair Kit – 6 per package
6.	5307065	G-35	Handle Gasket – 48 per package
7.	5302297	B-39	Handle Seal – 12 per package
8.	0307067	G-36	Handle Grip
9.	0307062	G-28	Handle Socket
10.	5323005	V-500-AA	3/4" x 9" Vacuum Breaker – 6 per package
	5323006	V-500-AA	1-1/4" x 9" Vacuum Breaker – 6 per package
	5323007	V-500-AA	1-1/2" x 9" Vacuum Breaker – 6 per package
11.	3323192	V-551-A	Vacuum Breaker Repair Kit
12.	0306125	F-5-AW	3/4" Spud Coupling
	0306140	F-5-AU	1-1/4" Spud Coupling
	0306146	F-5-AT	1-1/2" Spud Coupling
13.	0308676	H-550	Stop Coupling
14.	0308801	H-551-A	Adjustable Tailpiece 2-1/16" (Standard Length)
15A.	5308696	H-553	O-ring – 24 per package
15B.	5308381	H-552	Locking ring – 12 per package
16.	0388022	H-710-A	1" Screwdriver Bak Chek® Stop CP – complete
	0388025	H-710-A	3/4" Screwdriver Bak Chek® Stop – complete
17.	3308853	H-541-A	Control Stop Repair Kit*
	3308856	H-543-A	Control Stop Repair Kit**
18.	0308612	H-622	CP Bonnet*
	0308843	H-577	CP Bonnet**
19.	3308840	H-573-A	Control Stop Cap CP*
	0308848	H-582	Control Stop Cap CP**
20.	3308772	H-1010-A	Vandal Resistant Control Stop Cap Assembly*
	3308790	H-1009-A	Vandal Resistant Control Stop Cap Assembly**
21.	3308866	H-574	Control Stop Cap w/Bumper*
22.	3308867	H-576	Control Stop Cap w/Extended Bumper*

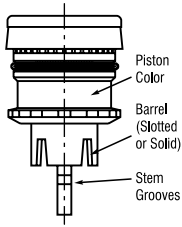
*For use with 1" and 3/4" H-700-A and 1" H-600-A Bak Chek® screwdriver control stop
 **For use with 3/4" H-600-A Bak Chek® screwdriver control stop

TAILPIECES, CONTROL STOPS AND FLUSH CONNECTIONS

For additional information on tailpieces, control stops and flush connections see Section 4.

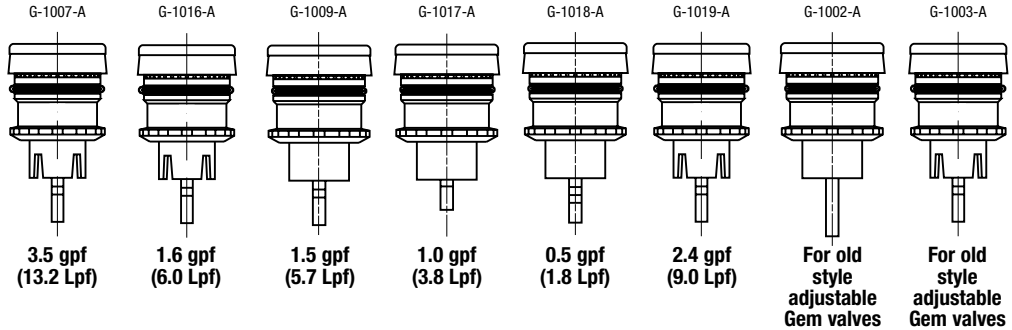
For more Sloan parts or complete flush valves, visit: www.ChicagoFaucetShoppe.com

Gem•2® Flushometer

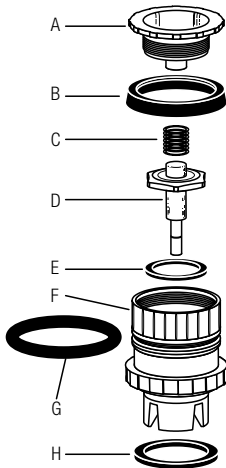


ITEM 3. PISTON KITS

Code No.	Part No.	Description	Color	Barrel	Grooves
0307193	G-1007-A	3.5 gpf (13.2 Lpf) – Water Closet	Gray	Slotted	2
0307195	G-1016-A	1.6 gpf (6.0 Lpf) – Water Closet	Black	Slotted	0
0307192	G-1009-A	1.5 gpf (5.7 Lpf) – Urinal	Black	Solid	2
0307185	G-1017-A	1.0 gpf (3.8 Lpf) – Urinal	Black	Solid	1
3307133	G-1018-A	0.5 gpf (1.8 Lpf) – Urinal	Black	Solid	3
3307134	G-1019-A	2.4 gpf (9.0 Lpf) – Water Closet	Gray	Slotted	0
0307044	G-1002-A	For old style adjustable Gem valves – Urinal	Black	Solid	0
0307043	G-1003-A	For old style adjustable Gem valves – Water Closet	Black	Slotted	0



Item No. 3 Piston Kit



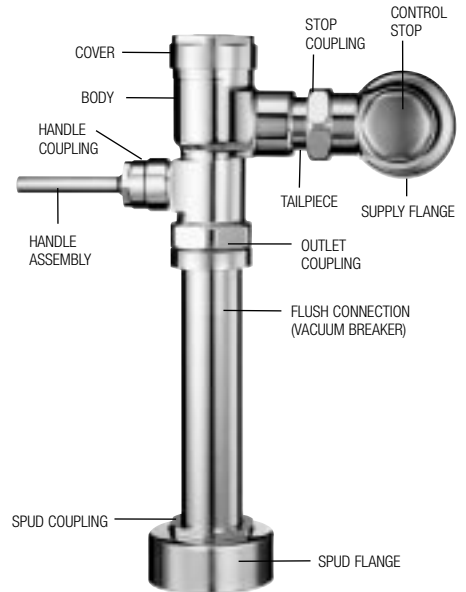
ITEM 3. PISTON COMPONENTS

Item	Code No.	Part No.	Description
A.	***	***	Piston Cover
B.	5307106	G-78	Molded Cup – 12 per package
C.	0307130	G-102	Spring
D.	***	***	Relief Valve
E.	0307116	G-95	Relief Valve Seat
F.	***	***	Piston Body
G.	0307210	G-85	Filter O-ring
H.	5307052	G-21	Main Seat – 6 per package

REPAIR KIT

Code No.	Part No.	Description
3307128	G-1011-A	Repair Kit includes Items: 2, 6, 7, B, C, E, G & H

For old style adjustable GEM Flushometers use kit: G-1005-A
 *** Indicates component is NOT available separately



For more Sloan parts or complete flush valves, visit:
www.ChicagoFaucetShoppe.com

Gem•2® Flushometer

2.2.5

TROUBLESHOOTING GUIDE

ATTENTION INSTALLERS: With the exception of the control stop inlet, DO NOT USE pipe sealant or plumbing grease on any valve component or coupling! To protect the chrome or special finish of Sloan Flushometers, DO NOT USE toothed tools to install or service these valves. Use our A-50 Super-Wrench™ or other smooth-jawed wrench to secure couplings. Regulations for low consumption fixtures (1.6 gpf/6.0 Lpf closets and 1.0 gpf/3.8 Lpf urinals) prohibit use of higher flush volumes.

1. Valve does not function.

- A. Control stop or main valve is closed. Open control stop or main valve.
- B. Handle assembly is worn. Install handle repair kit G-50-A or replace handle.
- C. Relief valve is worn and sticking in UP position. Replace piston.

2. Insufficient volume of water to adequately siphon fixture.

- A. Control stop not open enough. Adjust control stop for desired delivery of water.
- B. Urinal piston parts inside a closet valve. Replace piston parts with proper closet piston.
- C. Low consumption valve installed on a non-low consumption fixture. Replace with proper piston kit.
- D. Inadequate volume or pressure at supply. Increase water pressure or supply (flow) to valve. Consult factory for assistance.

3. Length of flush too short (short flushing) or valve closes off immediately.

- A. Piston assembly is not hand-tight. Screw the assembly hand-tight.
- B. Enlarged by-pass orifice from corrosion or damage. Install NEW inside parts kit to correct problem and update Flushometer.
- C. Urinal piston in closet Flushometer. Replace piston with proper closet piston.
- D. Low consumption piston installed in non-low consumption fixture. Replace with proper piston kit.
- E. Handle assembly worn. Install handle repair kit G-50-A.

4. Length of flush too long (long flushing) or fails to close off.

- A. Piston is not seating properly or by-pass orifice is clogged because of foreign material, or by-pass orifice is clogged by an invisible gelatinous film from "over-treated" water. Disassemble the working parts and wash thoroughly.
NOTE: Size of the orifice in the by-pass is of utmost importance for the proper metering of water into the upper chamber of the valve. DO NOT enlarge or damage this orifice. Replace piston if cleaning does not correct problem.
- B. Line pressure has dropped and is not sufficient to force relief valve to seat. Shut off all control stops until pressure has been restored, then open them again.
- C. 3.5 gpf closet piston has been used in a 1 or 1.5 gpf urinal or on a 1.6 gpf toilet. Replace with proper piston.
- D. G-21 main seat is fouled with debris or is worn. Clean or replace main seat.

5. Leaking at handle assembly.

- A. The B-39 seal may have deteriorated. Install new B-39 seal.
NOTE: The seal will easily slide right onto the bushing if it is wet.
- B. Handle gasket has been omitted. Install G-35 handle gasket or Sloan handle repair kit G-50-A.
- C. Valve handle bushing is worn. Install Sloan handle repair kit G-50-A.

CARE AND CLEANING INSTRUCTIONS

DO NOT use abrasive or chemical cleaners to clean Flushometers as they may dull the luster and attack the chrome or special decorative finishes. Use ONLY mild soap and water, then wipe dry with clean cloth or towel.

While cleaning the bathroom tile, the Flushometer should be protected from any splattering of cleaner. Acids and cleaning fluids can discolor or remove chrome plating.